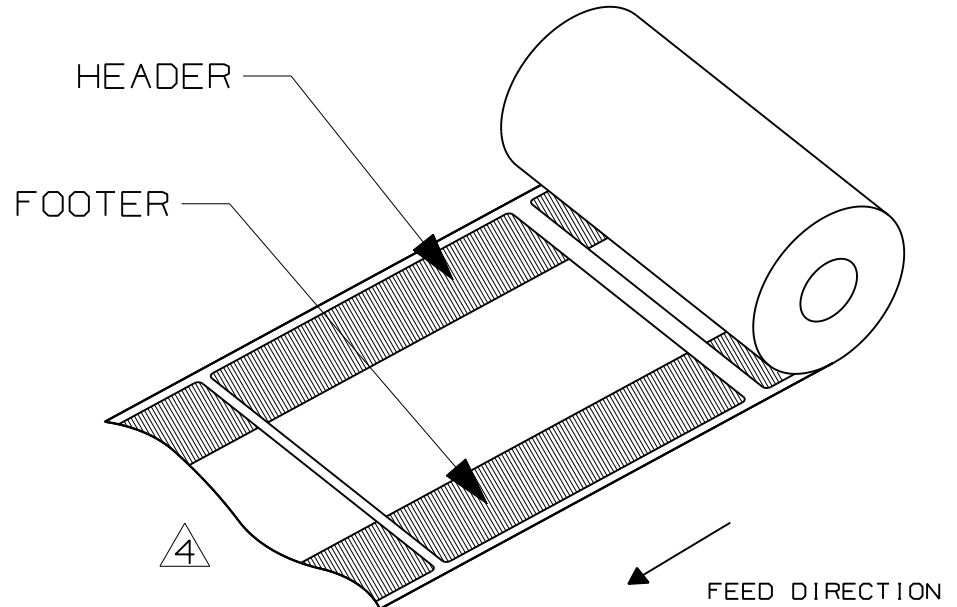
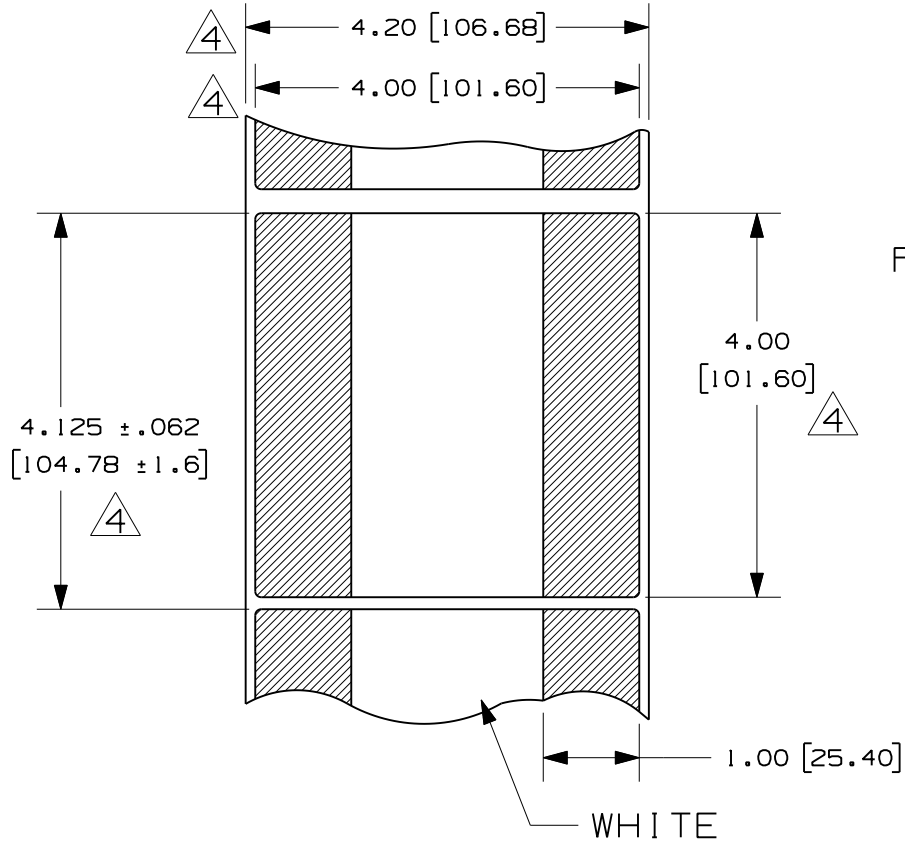


THIS COPY IS PROVIDED ON A RESTRICTED BASIS AND IS NOT TO BE USED IN ANY WAY DETRIMENTAL TO THE INTERESTS OF PANDUIT CORP.



NOTES:  
1. DIMENSIONS IN ( ) ARE MILLIMETERS

PART NAME	LABELS PER ROW	LABELS PER PACKAGE	HEADER COLOR	FOOTER COLOR
C400X400A11	1	250	ORANGE	SAFETY GREEN
C400X400A21				SAFETY YELLOW
C400X400A31				SAFETY RED

CAD FILENAME/LAYERS 100472MW\_DC\_C10565/05E

PANDUIT CORP. TINLEY PARK, ILLINOIS

C400X400A11, C400X400A21 & C400X400A31  
THERMAL TRANSFER BLANK ARC FLASH LABELS  
CUSTOMER DRAWING

UNLESS OTHERWISE SPECIFIED,  
DIMENSIONAL TOLERANCES ARE:  
(.X) ± .1 (XXX) ± .031  
(.XX) ± .062 ANGLES ± 1

UNLESS OTHERWISE SPECIFIED,  
ALL DIMENSIONS ARE GIVEN  
IN INCHES, THIRD ANGLE PROJECTION.

REV	DATE	BY	CHK	DESCRIPTION	ECN	R	CUST	SUP
4	12/16/09	RVU		Change roll orientation so that the labels face in instead of out. Keep stripe at same side as currently viewed just facing inside. ADD STD. +/- .062, 2 PLCS.	5935	R		
3	1-09-09	JHAC		CHANGED CARRIER WIDTH TO 4.2	5637	R		
2	5-09-08	JHAC		CHANGED TABLE VALUES ADDED NOTES 2, 3, AND 4. CHANGED WIDTH	5404	R		

DRAWN BY  
PSG  
DATE  
3-19-07  
CHK'D

MAT'L:  
GY4-HT\*  
POLYESTER

SCALE  
NTS  
DRAWING NO.  
C10565  
DWG  
A  
SIZE